

# Service description

Product: SP200	Service description no: 3112-S014	Ver: 1
-------------------	---	-----------

## Symptom

Gearbox change 90°.

## Caused by

The hole pattern of new a gearbox does not match the hole pattern on a pump stem.

## Solution

Follow the instructions below to change to a new gearbox.

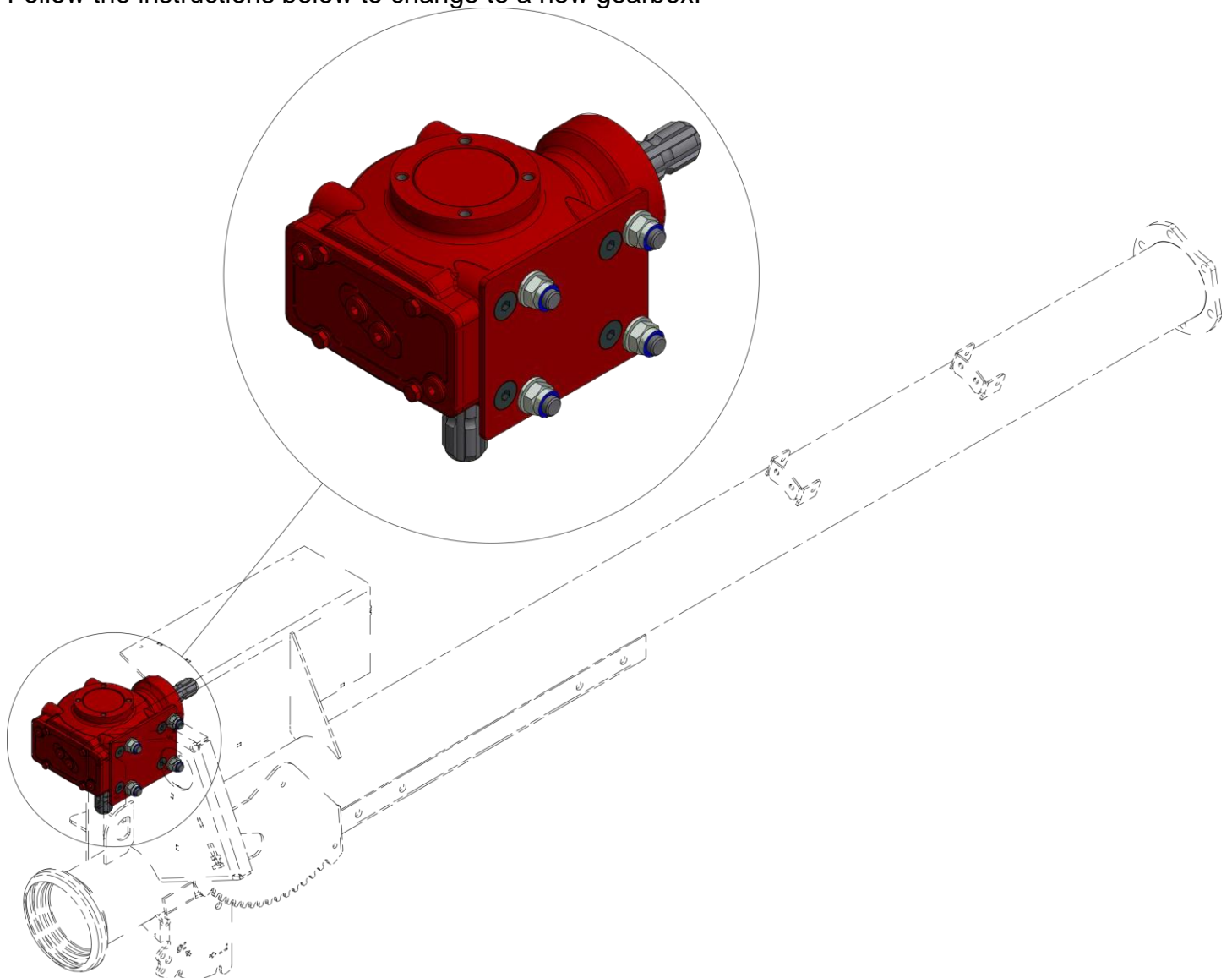
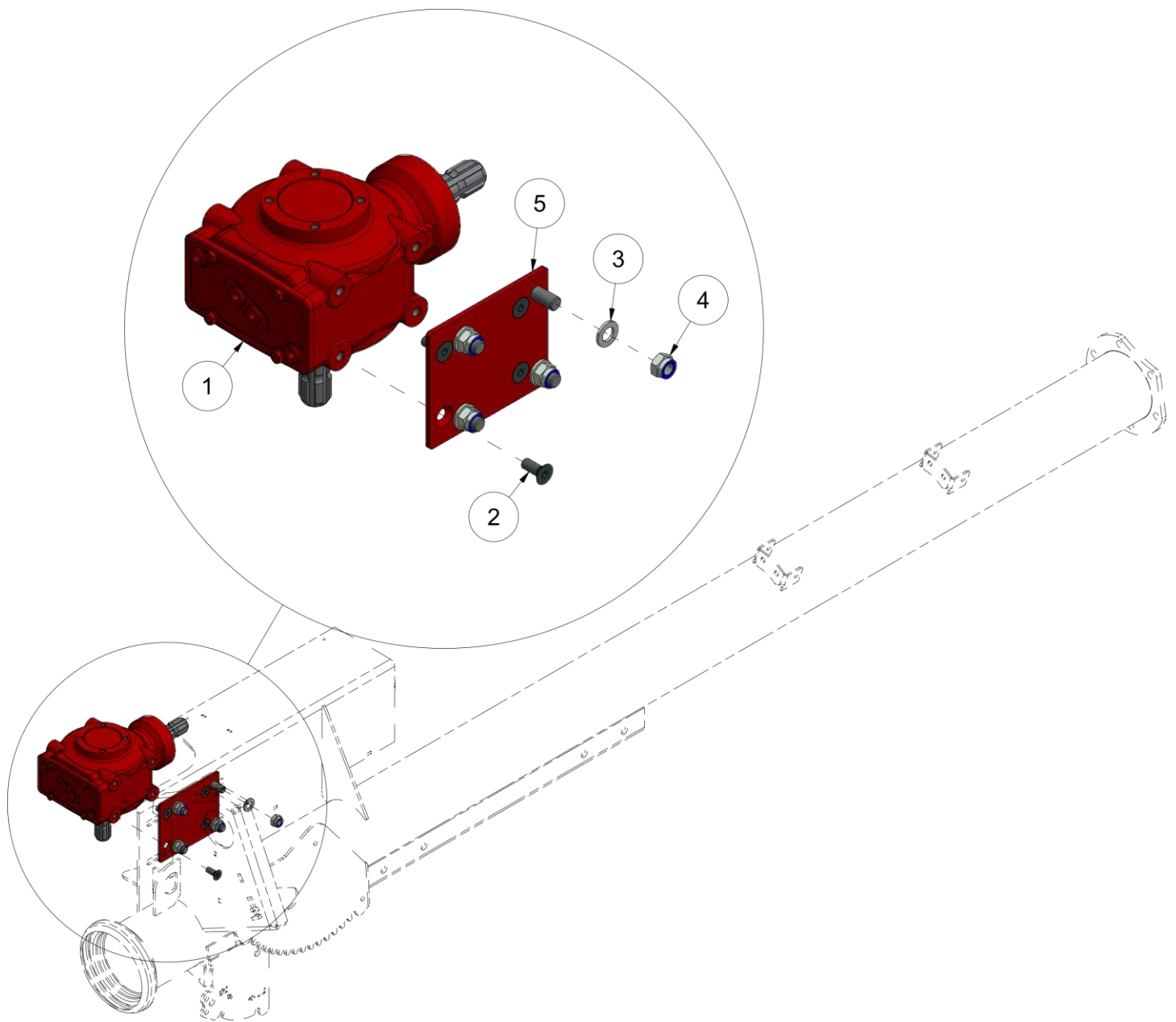


Figure 1



**Figure 2**

Pos	Qty	Article no	Designation
1	1	2961124	Gearbox 1:1 90°
2	4	2472348	Countersunk head screw M12x30 St 10.9 DIN 7991
3	4	2531078	Washer M16 ElZn DIN 125
4	4	2483613	Locking nut M16 ElZn DIN 985
5	1	13127042	Gearbox replacement fixing plate SP200 90°

**Figure 3 Parts list**